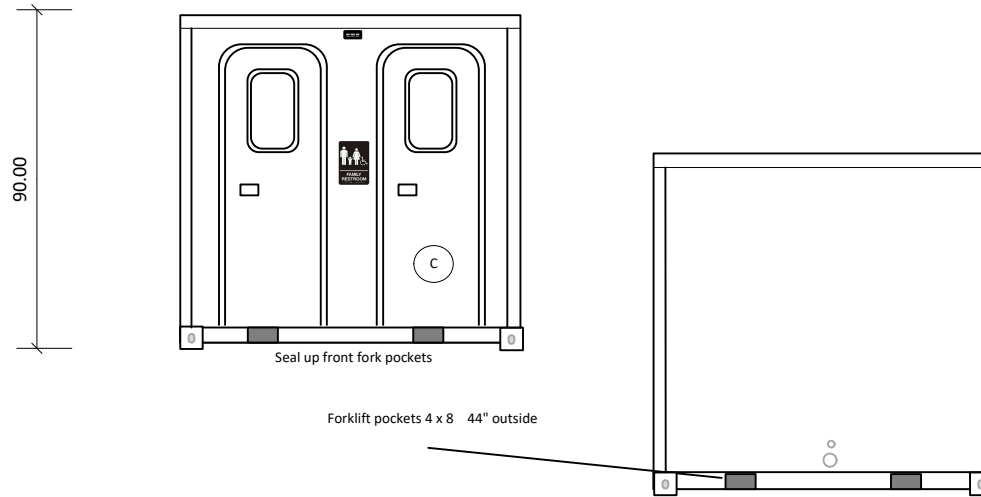
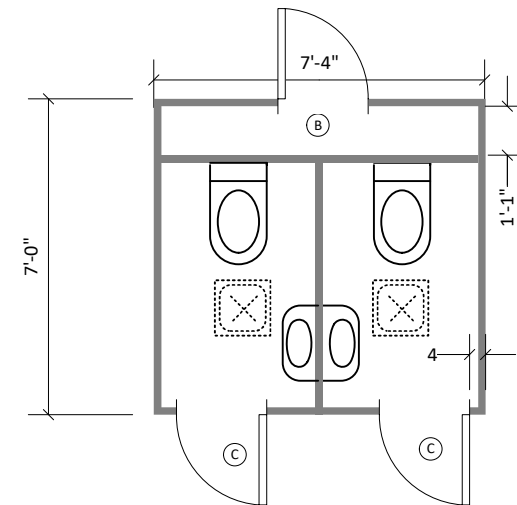




## Comfort Isle 7 ADA 2ST Direct



- (A) 78"x24" RH
- (B) 48"x24" RH
- (C) 80"x 36" RH



- Porcelain wall hung fixtures & mirrors
- Rubber coin over epoxy steel flooring
- Commercial Toilets Lever flush Metered faucets
- 2 Turbo fans & Broan 1200 watt heaters
- Obscure skylights in radius doors
- Vandal resistant pebble finished wall panels
- Double foil radiant barrier insulation
- Led 50,000 hr LED lighting with aux. 12 volt inlet/outlet
- Automatic body sensing lighting and occupancy indicator
- All metal and composite construction
- Forklift pockets all sides
- 4 ISO bottom corners

This document is the property of and contains unpublished proprietary information and trade secrets of A.M.S. Global Inc. By accepting possession of the document the recipient agrees to make no copies transcriptions or any use of this document or the information contained herein except as authorized by A.M.S. Global Inc. and further agrees to safe keep this document and return in to A.M.S. Global Inc. upon demand.

These restrooms are designed to be compliant with all current guidelines as we are aware of . Many guidelines have gray areas and points open to interpretation. Different entities may have differed interpretations or local differences. We suggest getting approvals of final plans from the authorities in the local the unit will be placed

Approved by \_\_\_\_\_

